



Cordclam® & Chainclam®

Data Sheet

Mighton Cordclam® & Chainclam®

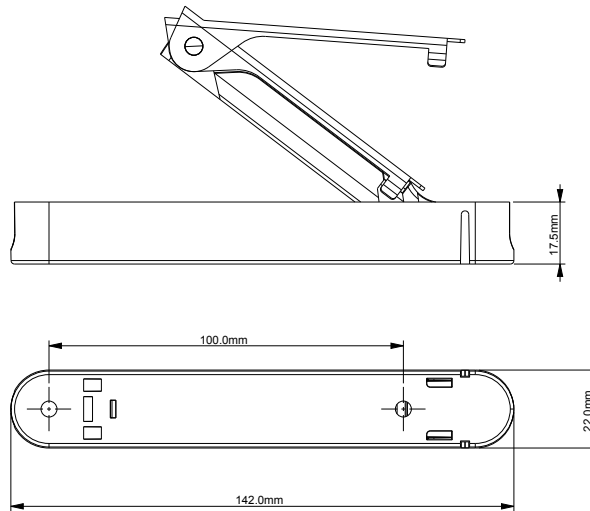
- Simple sash cord or chain adjustment
- Neat, professional appearance to edge of sash
- Cordclam® and Chainclam® can be removed from its fixed housing
- Suitable for new or refurbishment projects
- Once adjusted cord or chain locked into position with clamp
- Sashes can easily be removed from the frame for



Cordclam®



Chainclam®



Technical Data

Cordclam® and Chainclam®		
Code	Stock Section	Dimensions (mm)
CORDCLAM	Cordclam cord retainer	142 L x 22 W x 17 D
CHAINCLAM	Chainclam chain retainer	142 L x 22 W x 17 D



“Make It Once...Make It Mighton...”

www.mightonproducts.com