

new in 2024



ELEGANZA

Eleganza Door and Window Hardware

www.mightonproducts.com

Earn every time you spend with the
Mighton Loyalty Reward Point Program

[More information on back cover](#)

- ✓ Cranked Handles
- ✓ Inline Handles
- ✓ Exterior Door Handles
- ✓ Letterboxes
- ✓ Technical Drawings
- ✓ Box Quantity Discounts
- ✓ Loyalty Reward Points





Make it Once. Make it Mighton.

Established in 1983, Mighton Products Ltd is a family-owned business based in Hinxton near Cambridge. The company was initially formed by Mike Derham (who started out as a Joiner making timber sash windows) to supply nylon sash pulleys, cord, and sash weights.

Since those early days, the company had added casement window products, door hardware and more recently bifold hardware and a range of high-quality joinery paints and coatings.

Today, the product range stretches to around 3000 items however, timber sash windows remain the company's main passion.

Mighton Products is rapidly expanding and now supply many countries around the world. We are constantly working with leading brands, providing the service and quality they expect from a market leader. But we haven't forgotten our roots so the small joinery shop, decorating business or homeowner all receive the same service.

We know that you want to talk to someone that understands what you are looking for and can advise you where to look. Our knowledgeable team are trained to advise on all of our products and we offer help and advice to make sure you are able to make the right choice.

A handwritten signature in black ink that reads 'Mike.' with a period at the end.

Mike Derham
Chairman

Contents

- 1 Casement Handles**
- 2 Letterboxes**
- 3 Exterior Door handles**
- 5 Cranked Handle Technical Drawings**
- 6 Inline Handle Technical Drawings**
- 7 Exterior Door Handle Technical Drawings**
- 8 Letterbox Technical Drawings**



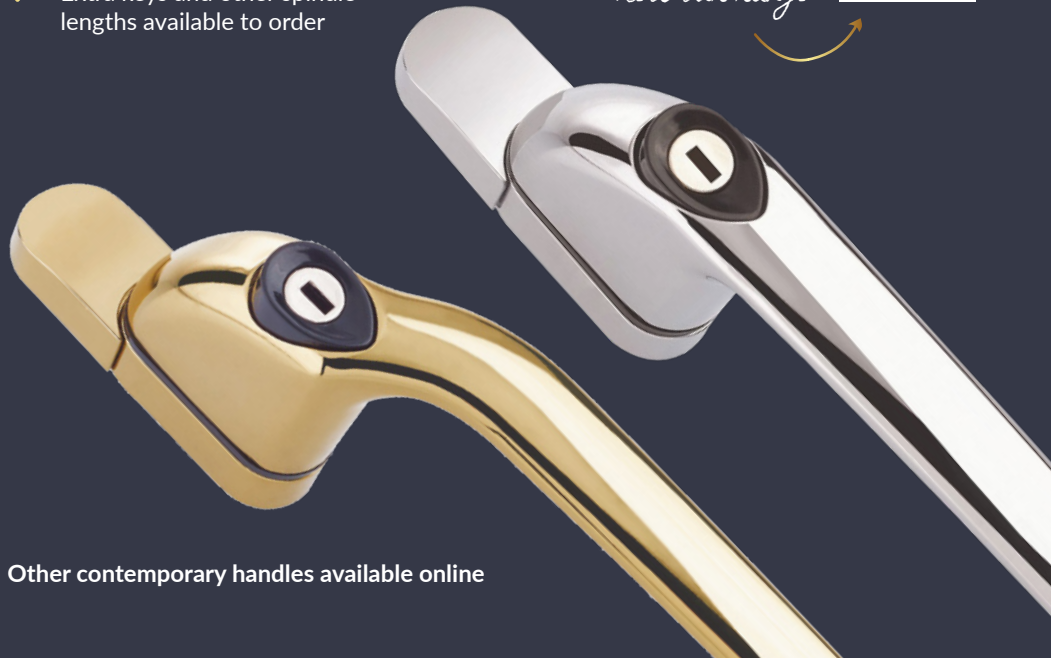
Casement Handles

Crafted from high-performance zinc alloy, Mighton Eleganza handles are easy to install and operate, making them ideal for PVCu, aluminium, and timber casement windows. The contemporary design includes an ergonomic lever shaped to fit your hand and a teardrop button for added comfort. The rose incorporates slide-and-clip screw cover for easy installation.

Mighton Eleganza range has undergone independent testing for 50,000 cycles to ensure reliable operation and salt spray testing to meet industry standards for a durable finish.

- ✓ Corrosion resistance – salt spray tested to BS EN 1670
- ✓ Supplied complete with 40mm spindle, 2 fixing screws, 1 key and 1 cover cap
- ✓ 10 years mechanical operation guarantee
- ✓ 10 years painted surface guarantee
- ✓ 5 years plated surface guarantee
- ✓ Tested to 50,000 cycles
- ✓ Extra keys and other spindle lengths available to order

View our range



Other contemporary handles available online



Letterboxes

Mighton Eleganza Letterboxes are a premium piece of door hardware, designed for versatile installation into timber, UPVC, composite, and aluminium doors.

- ✓ External weather seal and internal draft seal to keep your home insulated
- ✓ Available in a variety of flap finishes to match your door's style
- ✓ Durable ABS plastic frame with a sleek aluminium flap
- ✓ Suitable for both panel and mid-rail fitting options
- ✓ Endurance tested for reliability with 20,000 cycles
- ✓ Corrosion resistant, tested for 96 hours in neutral salt spray testing (NSST)

This letterbox enhances the elegance of your door while providing robust performance, making it a must-have for those seeking high-quality door hardware.



Polished Gold



Polished Chrome



Satin Chrome



White



Black



View our range

Handles and Letterboxes both available in all finishes



Corrosion resistance

Elegant Design

View our range



Exterior door handles



Manufactured from high-performance zinc alloy, Mighton Eleganza door handles are simple to fit, easy to operate, and suitable for PVCu, composite, aluminium, and timber doors.

- ✓ Supplied with two spindles, spring cassettes and fixing screws as standard
- ✓ Corrosion resistance – salt spray tested to BS EN 1670 (48 hours)
- ✓ 10 years mechanical operation guarantee
- ✓ 10 years painted surface guarantee
- ✓ 5 years plated surface guarantee
- ✓ Tested to 100,000 cycles
- ✓ 100kg lever pull test
- ✓ Lever/lever Set
- ✓ Lever/pad option also available to order

Mighton Eleganza door handle range has been independently tested to 100,000 cycles, as well as a 100kg lever pull test, guaranteeing operational reliability and durability.



Polished Gold



Polished Chrome



Satin Chrome



White



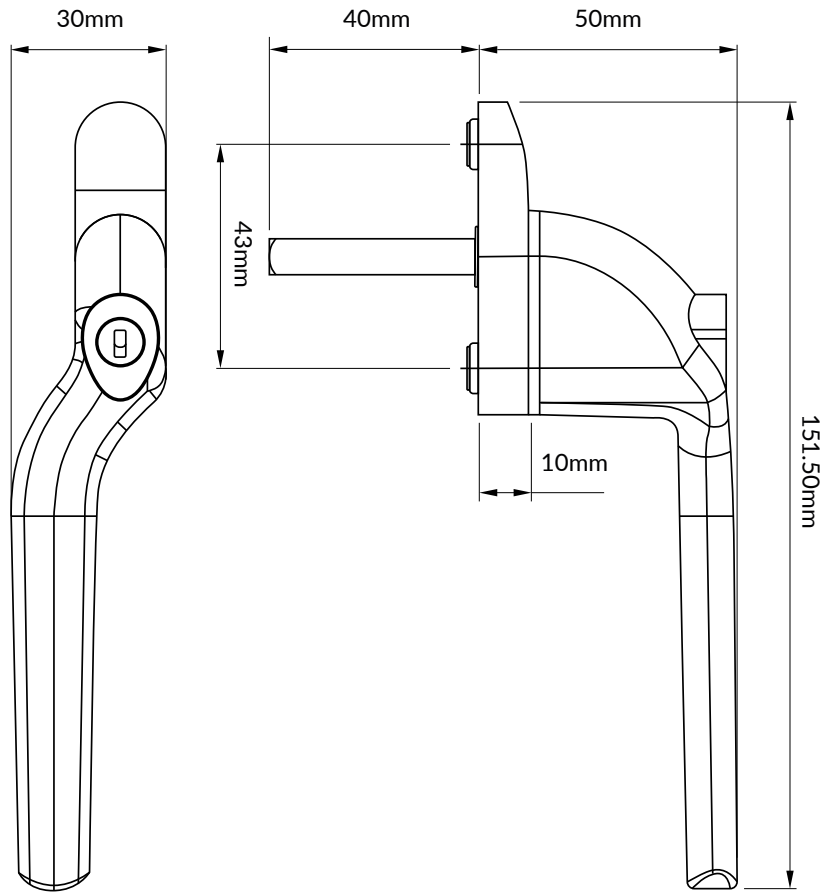
Black



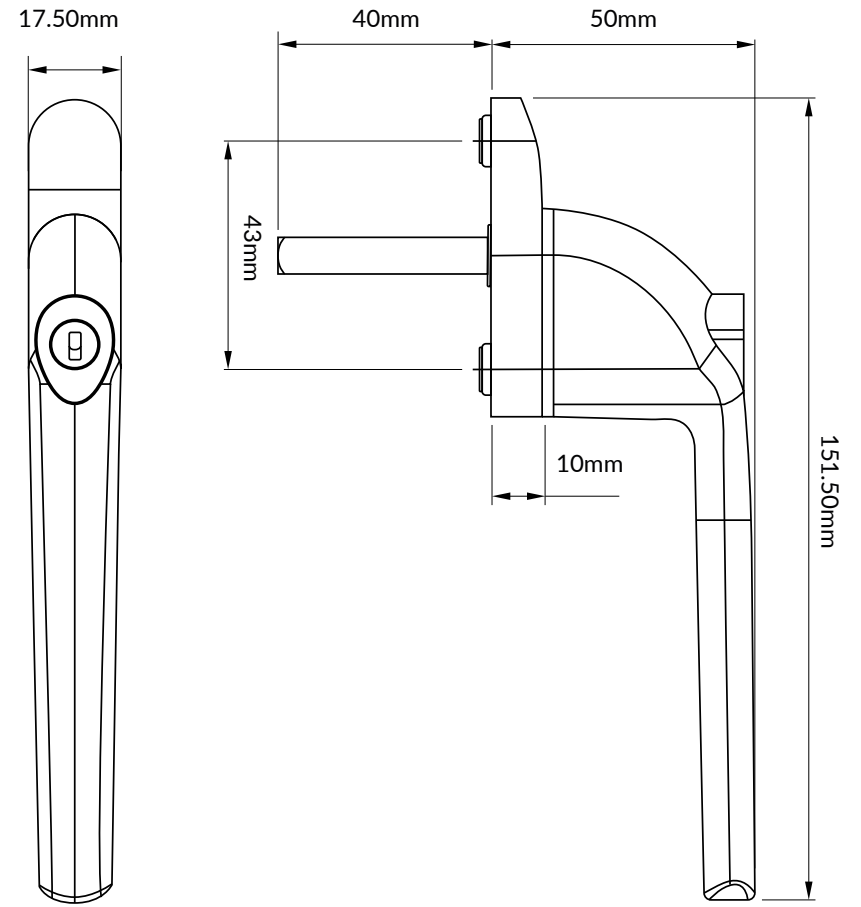
View our range

Handles and Letterboxes both available in all finishes

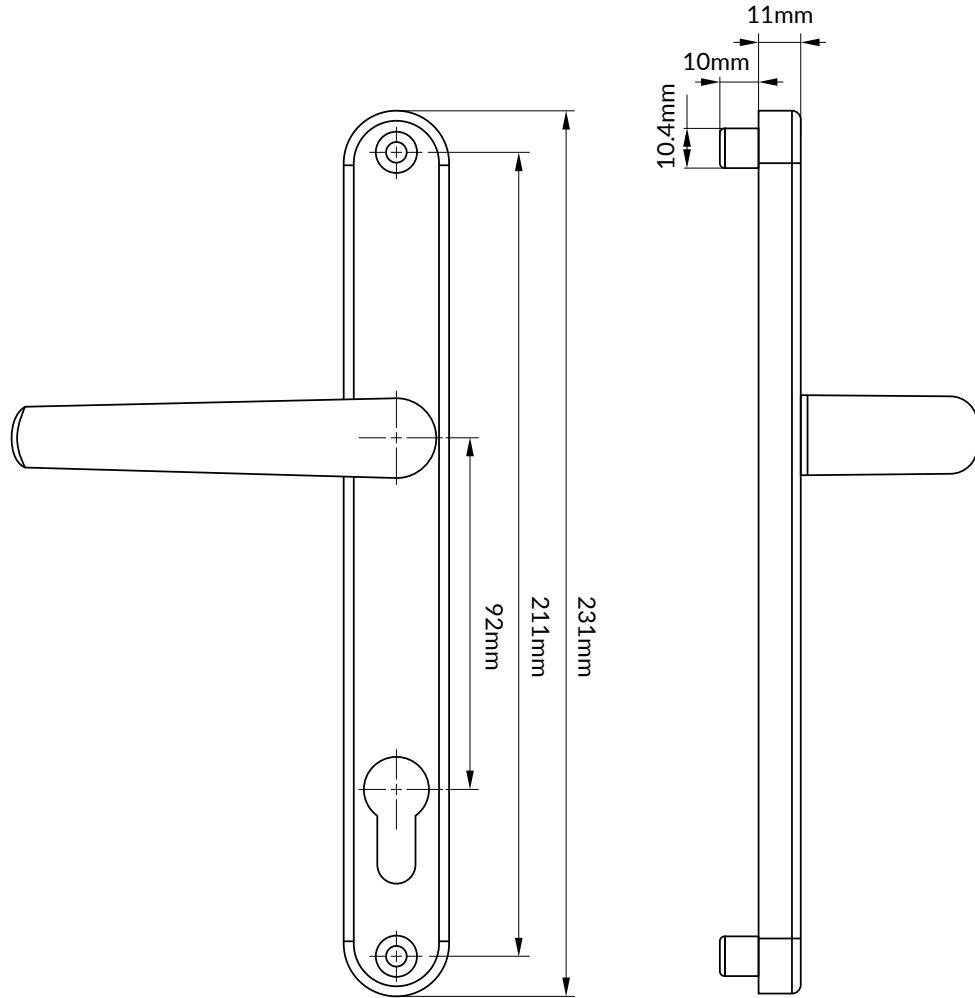
Cranked Handles



Inline Handles

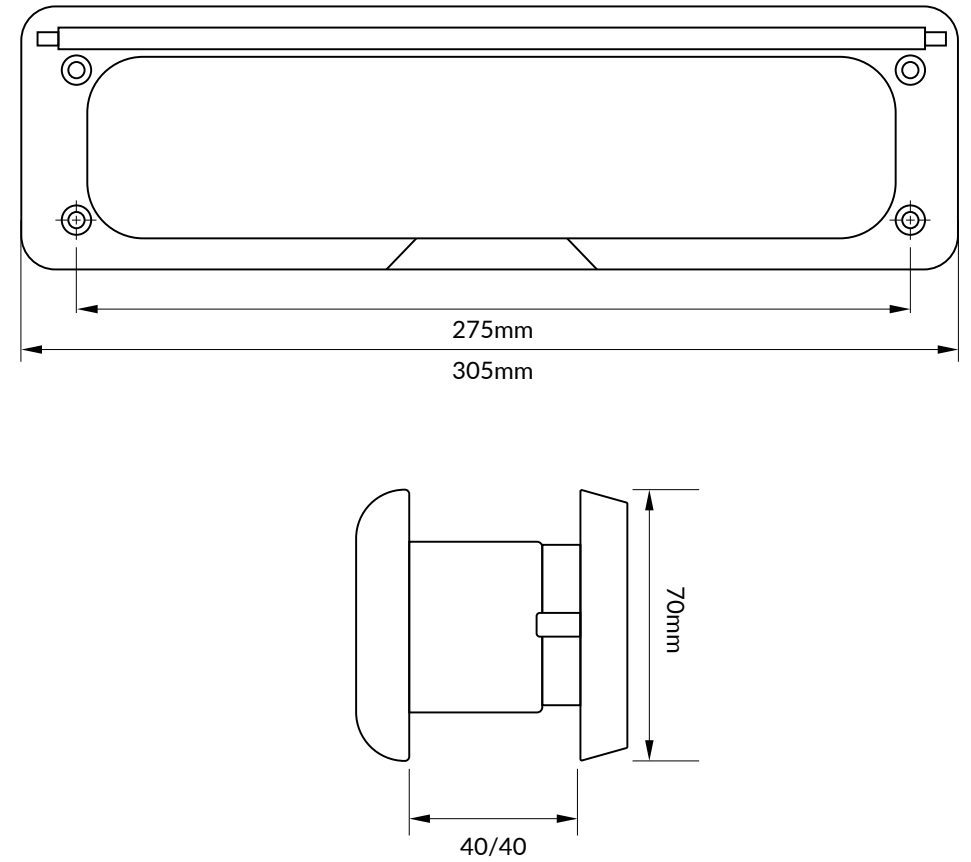


Exterior door handle



Lever/pad option also available to order.

12" Letterboxes



Works with door thickness's between 40-80mm.

Loyalty Reward Points

Earn every time you spend



We are always happy to reward our loyal customers and it doesn't get much better than with the Mighton Loyalty Reward Point Program. Earn points with every order you place, and redeem your points to save on future orders.

- ✓ Earn 1 point for every £1 you spend online
- ✓ Redeem each point for 1p on our website
- ✓ No application or trade account required
- ✓ Loyalty points only available on online orders



Start earning points today.

Simply register or login to your mightonproducts.com account



www.mightonproducts.com

+44 (0)800 056 0471

sales@mighton.co.uk

Mighton Products Ltd, Hinxton, Cambridgeshire, CB10 1RG, UK

ELEGANZA A5 V1