

2 Linear Euro Cylinder Door Lock



Features

- Available as 30mm, 35mm and 45mm Backsets, with 16mm and 20mm face bars
- Non-handed lock mechanism with reversible sash bolt to minimise stick requirements
- Snib facility as standard on all locks
- Central brass deadbolt throws 22mm to prevent unauthorised entry
- Twin high security bolts for anti-separation resistance - bolts throw 18mm
- Accepts standard 92mm unsprung handles and euro profile cylinders (operates with all BS and DIN specification cylinders and most other types of cylinder)
- Split spindle for lever / pad applications - choice of length available
- Patented adjustable steel keeps giving $\pm 2.0\text{mm}$
- Optional shootbolt engagement for additional security
- Single and French door (slave lock unit) applications



Keeps



Shootbolt (optional)

2 Linear Euro Cylinder Door Lock

Ordering Details

To select the required 2 linear bolt MPL part number, use the tables below to determine:
1. The face bar and backset
2. The overall length of the unit

KEY

| | |
|-----------|--------------------|
| B | Backset |
| FB | Face Bar |
| DL | Datum Line |
| OL | Overall Length |
| TB | Top Linear Bolt |
| BB | Bottom Linear Bolt |

OPTION 1

| B | FB | DL | OL | TB | BB | Part No. |
|----|----|------|------|-----|-----|--------------|
| 30 | 16 | 1050 | 2250 | 570 | 662 | 6430-00-85AA |
| 35 | " | " | " | " | " | 6435-00-85AA |
| 45 | " | " | " | " | " | 6445-00-85AA |

OPTION 2

| B | FB | DL | OL | TB | BB | Part No. |
|----|----|------|------|-----|-----|--------------|
| 35 | 16 | 1050 | 2250 | 680 | 700 | 6435-00-85MA |
| 45 | " | " | " | " | " | 6445-00-85MA |
| 35 | 20 | 1050 | 2250 | 680 | 700 | 6435-80-85MA |

OPTIONAL EXTRAS

| B | Slave Unit | Shoot Bolts |
|----|------------|-------------|
| 35 | • | • |
| 45 | • | • |

• Available -
See Slave Unit data sheet for more details

Technical Information

Corrosion resistance

Meets the requirements of BS EN 1670:2007 Grade 4 (240 hours)

Operation

Endurance tested in excess of 50,000 cycles

Material Specification

| | |
|--------------------|--------------------------------|
| Lock case: | Steel BZP CR3 Passivate + Seal |
| Face bar: | Steel BZP CR3 Passivate + Seal |
| Shoots/Ext. Piece: | Steel BZP CR3 Passivate + Seal |
| Keeps: | Steel BZP CR3 Passivate + Seal |

Maintenance

All moving parts should be lightly lubricated using a light non-acidic mineral oil (e.g. "3 in 1") twice per year and the surface cleaned with a soft damp cloth. The product may need to be adjusted and fixings tightened to ensure a satisfactory operation.

Packaging

Locks:
5 locks per box

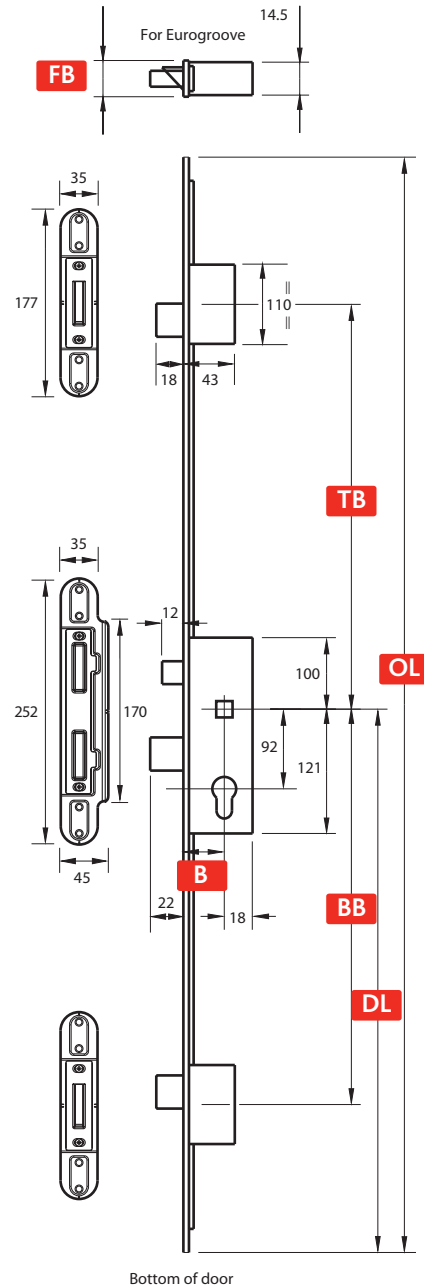


Diagram illustrates product in locked position.
All dimensions are in mm and are nominal.

ERA reserves the right to change specification without notice
It is the responsibility of the door manufacturer to ensure that
the finished product meets any required safety and performance specification.