



Push Ventlock™

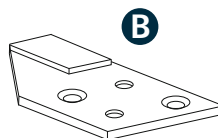
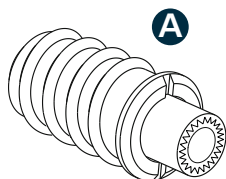
Installation Instructions

The Push Ventlock™ is easily fitted. Please read the instructions carefully before installation. We recommend fitting two Push Ventlock's™ per sash.

Parts List

A 1 x Push Ventlock™

B 1 x Strike Plate

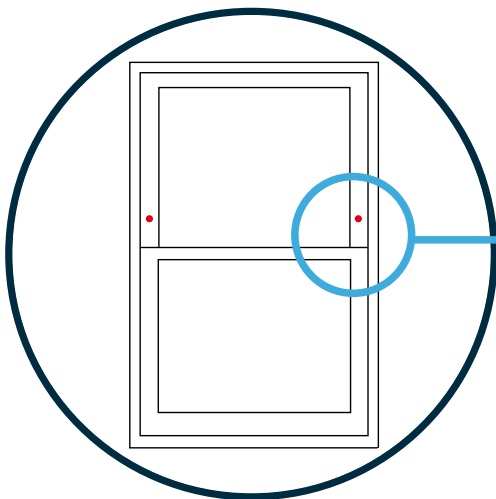


Important: Push Ventlock™ projects 9mm when fully out. This device must be fitted in a position that allows no more than a 100mm restricted opening.

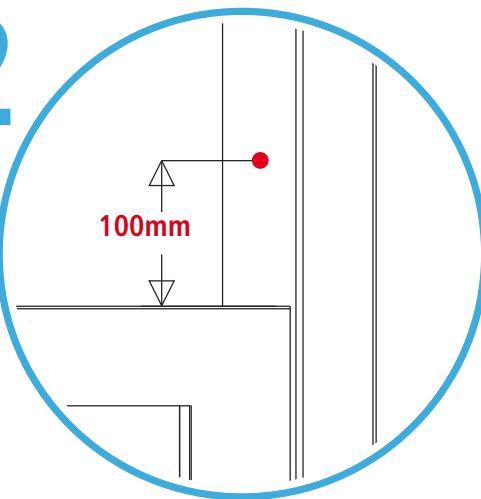
Ensure the sash is completely closed and locked before starting the installation.

Installation

1



2



Important!

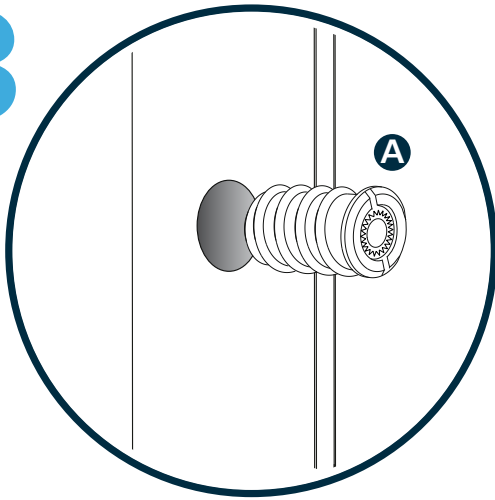
Close and lock sash before starting installation.

Measure 100mm up from top of bottom sash and mark window frame as shown above.

Drill a 14mm diameter hole 30mm deep into the top sash as shown above.

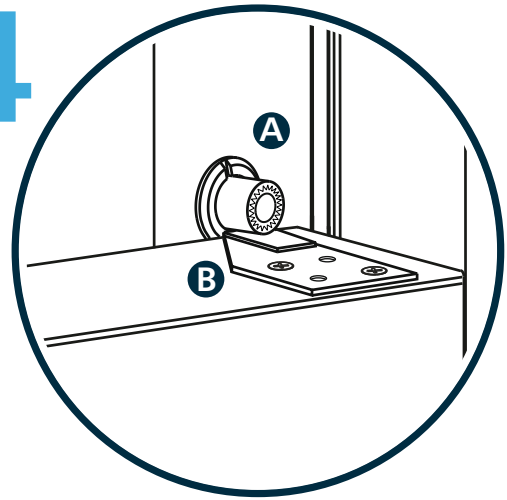


3



De-activate Push Ventlock™ (A) by pushing the centre button in and turning clockwise. Screw the Push Ventlock™ (A) into the hole using a large flat bladed screwdriver or one of our insertion tools, part code: **VTOOLHAND** or **VTOOLDRILL**.

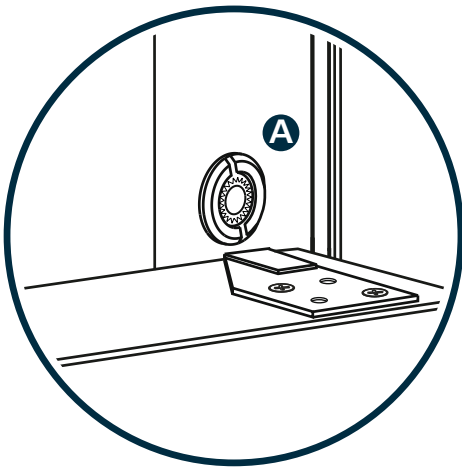
4



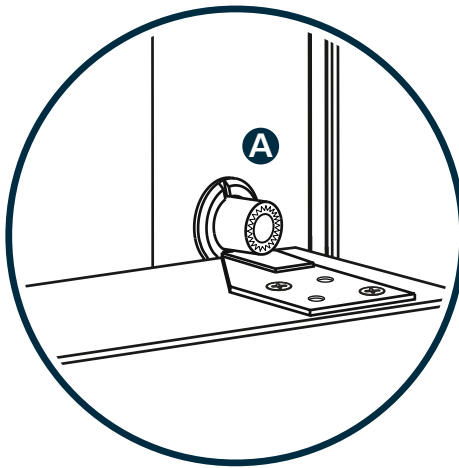
Activate Push Ventlock™ (A) by pushing the centre button in and turning counter-clockwise. Lower the sash and install the Strike Plate (B).

Operation

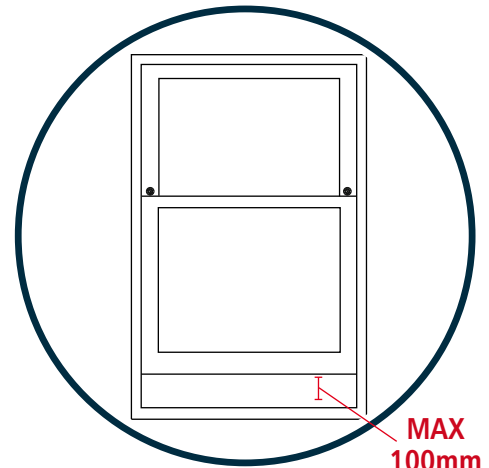
Verify device operates correctly and window opening cannot exceed 100mm.



De-activate Push Ventlock™ (A) by pushing the centre button in and turning clockwise.



Activate Push Ventlock™ (A) by pushing the centre button in and turning counter-clockwise.



The window opening cannot exceed 100mm.

Clean the Push Ventlock™ with a damp cloth. On a regular basis, ensure the device operates correctly.