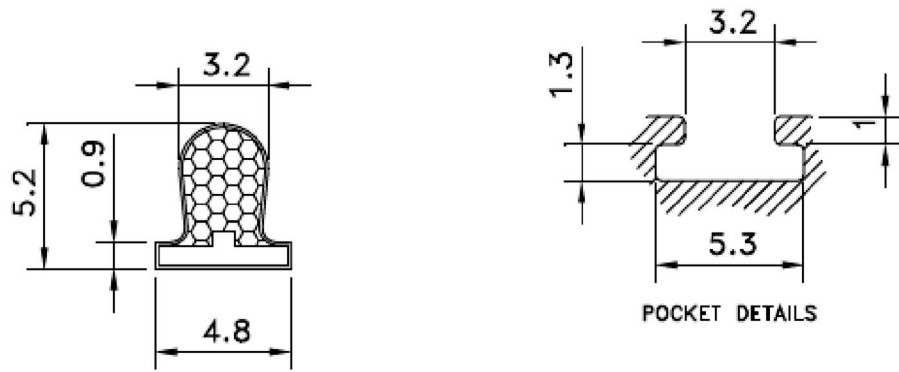
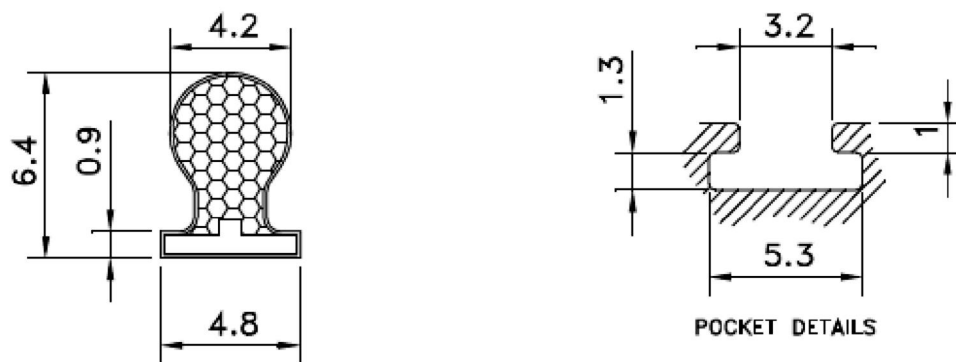


# QLON™ 48510



TECHNICAL SPECIFICATION: A, SEAL GAP 1.1mm MIN to 2.4mm MAX

# QLON™ 48650



TECHNICAL SPECIFICATION: A, SEAL GAP 1.8mm MIN to 3.4mm MAX

