

A nity Door Handles

Features

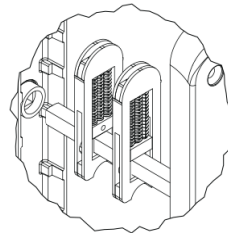
Long backplate version to suit all current long backplate door bolt locking systems

Handles are non-handed allowing them to be used as either a left or right hand (supplied with spring cassette)

Available in Gold, Chrome & Satin Chrome

Powdercoated versions are available in zinc or aluminium

Supplied with a spindle & screws to suit profiles 58-70mm



SPRING CASSETTE

Technical Information

Assessment Data

Performance: Tested to 100,000 operations

Corrosion resistance: All finishes meet the requirements of BS EN 1670:2007 - grade 5 (>480 hrs Salt Spray)

Material Specification

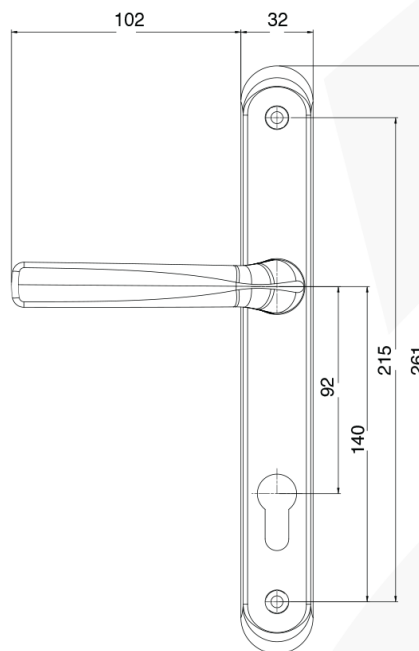
Handle/Backplate: Zinc Alloy BS1004A or aluminum A360

Spindle: Steel C1008, Zinc plated and yellow passivated

PVD/Chrome Coating: Gold, Chrome & Satin Chrome,

Additional Information Box Quantity: 10 Pairs

LEVER/LEVER LONG BACKPLATE



Code	Finish
AFFGLD	Gold
AFFCHR	Chrome
AFFSCR	^ Ÿ v Z œ } u

