



# Angel Side Fix Extended

## Features

- Convenient, simple and cost effective method to restrict the opening on sliding sash windows.
- Offers enhanced safety and security for sash windows
- Suitable for PVCu and timber sliding windows
- Non-handed for ease of application
- Routed into the sash, restrictor sits discreetly on the window
- Face Fix, Side Fix and Retro Fix versions available
- Key lockable, available for added security
- Available in White, Gold, Chrome and Satin Chrome finishes
- Non-lockable complies with BSEN14351



## British Standard - Safety Details

- BS8213-1-2004 states that safety restrictors should be fitted to windows where children or adults are at risk of falling out and say safety restrictors should operate so that they:
- Limit the initial movement of an opening light so that a clear opening of not more than 100mm is achieved at any point.
- Are releasable only by manipulation not normally possible by a child under 5 year.
- Are readily identifiable and capable of being released by an adult (without prior instruction) on windows suitable as a means of escape in case of fire.
- Re-engage automatically when an opening light is returned to the initial restricted opening position, or to a closed position (whether latched or not).
- Are not lockable by a removable key or other device on windows suitable as a means of escape in case of fire.
- Complies to ASTM F2090-2008 & 2010



## Securing the Sash

The robust sash travel restrictor range has been designed with safety in mind. Positioned on the sash the restrictor limits the opening of the sash.

Suitable for use on PVCu or Timber windows, the travel restrictor is ideal as a child safety device, preventing the travel of the sash beyond as designated position. A key is then used to simple close the bolt and allow the sash to move freely.

Available in a choice of two fixing options - side fix; and a range of finishes including White, Gold, Chrome and Satin Chrome. To comply with the building code, a restrictor is fitted to both sides of the sash.

Permission to reproduce extracts from British Standards is granted by BSI Standards Ltd. No other use of this work is permitted.



# Angel Side Fix Extended

## OVERVIEW

### Hardware Details

| Code       | Finish        | Swatch |
|------------|---------------|--------|
| ANGELSX    | Brass (PVD)   | (Br)   |
| ANGELSXABR | Antique Brass | (AB)   |
| ANGELSXCH  | Chrome        | (CHR)  |
| ANGELSXSC  | Satin Chrome  | (SC)   |
| ANGELSXWH  | White         | (Wh)   |

### Technical Information

#### Corrosion Resistance

Meets the requirements of BS EN 1670:2007 Grade 3

#### Performance

Meets the requirements of BS EN 14351-1 clause 4.8

### Material Specification

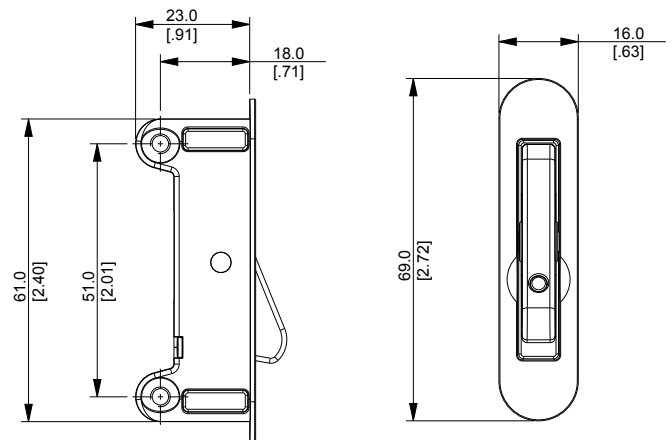
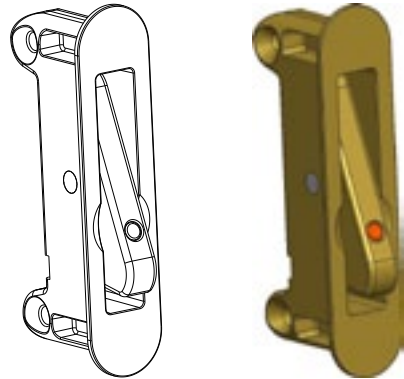
|           |               |
|-----------|---------------|
| Lock Body | Zinc Die Cast |
| Key:      | Steel         |

Supplied with screws

### Packaging

Sold in pairs, 250 per box

## DIMENSIONS



### Slot Detail

