

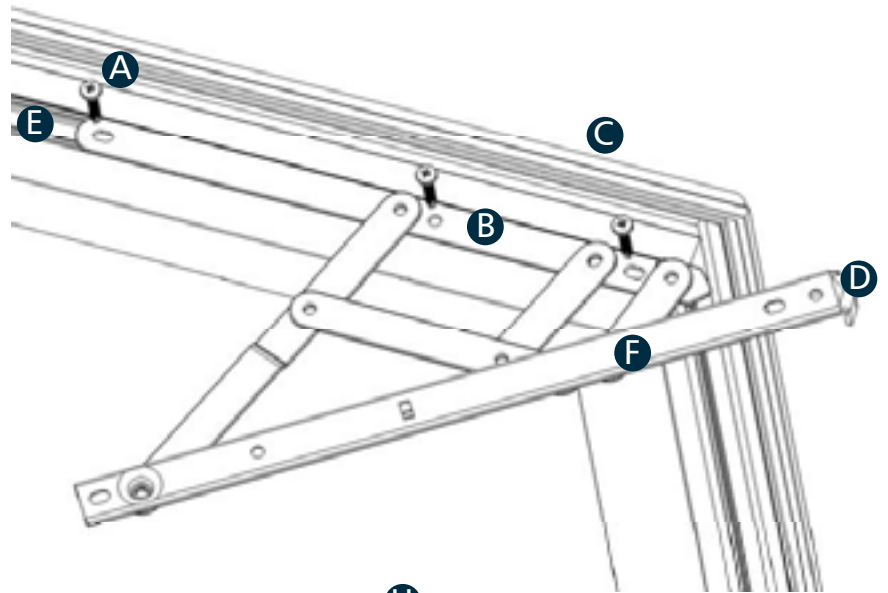


Friction Hinge

Fitting Guide

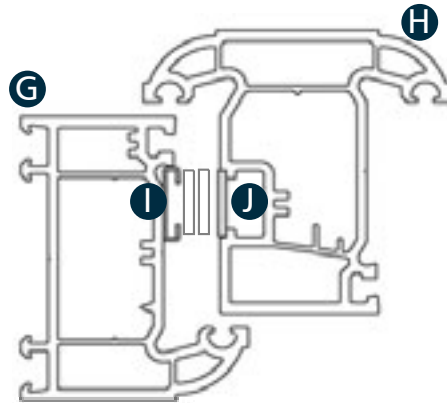
1

- A Fixing Screws
- B Nose Bar
- C Window Sash
- D Nose Cap
- E Channel
- F Euro-Groove



Place the hinge nose bar on the sash Euro-groove. (The position will depend on the window profile used). Fix in place.

- G Window Frame
- H Window Sash
- I Channel
- J Nose Bar



2

Fit sash to frame. Ensure that the nose caps are pushed up to the frame. Fix in place. If found necessary, some adjustment is provided by the adjustment slots.

- K Nose cap pushed hard up to frame
- L Adjustment Slots
- M Window Frame
- N Fixing Screws
- O Window Sash

