

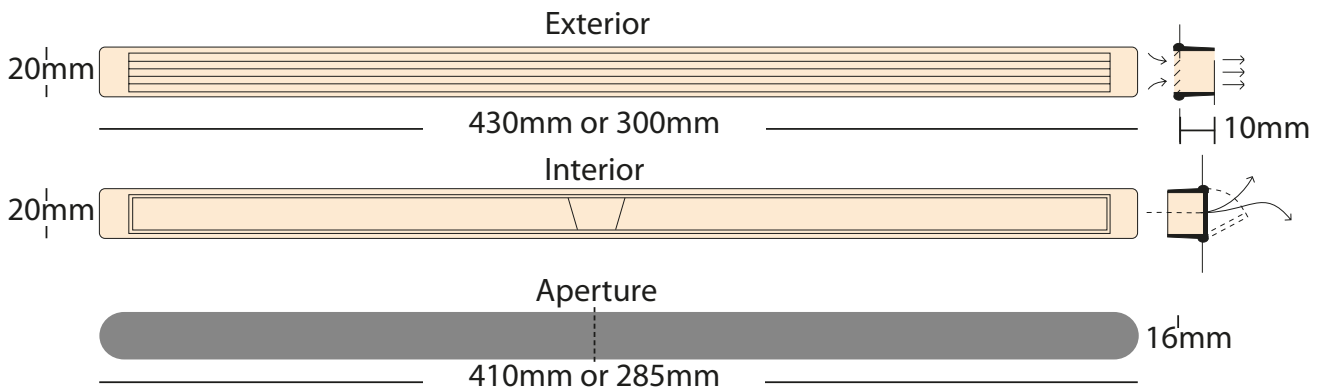
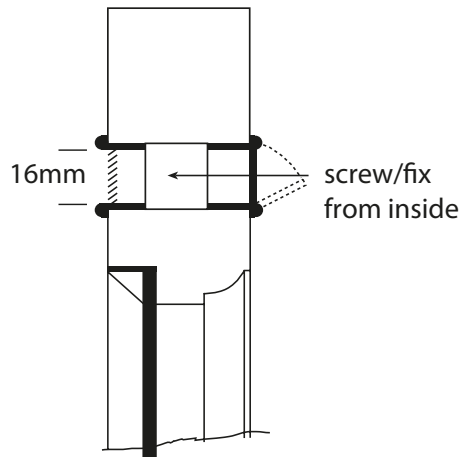


# Mighton Tricklevent

## Data Sheet

### Flushfitting Tricklevent

- Fits all timber windows
- Simple condensation control
- Fingertip vent adjustment
- Simple, low cost installation requiring only three hidden screws
- White, or Brown ABS, for long life
- Maintenance free



### Technical Data

Flushfitting Tricklevents		
Code	Width	Colour
TV	430mm	White
TVB	430mm	Brown
TV3	300mm	White
TVB3	300mm	Brown



# Mighton Tricklevent

## Data Sheet

### Screw-in (small)

#### Atmospheric conditions

Temp  $\Delta_a$ : 18°C

Pressure  $p_a$ : 99.7 kPa

	Pressure		Ventilator closed				Ventilator opened			
	$\Delta P$	Rig	Closed	Total	Total	Corrected	Open	Total	Total	Corrected
	Pa	m <sup>3</sup> /h	m <sup>3</sup> /h	m <sup>3</sup> /h	l/s	l/s	m <sup>3</sup> /h	m <sup>3</sup> /h	l/s	l/s
increasing	20	1.33	2.45	1.12	0.311111	<b>0.308226</b>	22.14	20.81	5.780556	<b>5.726942</b>
increasing	30	1.78	3.15	1.37	0.380556	<b>0.377026</b>	26.93	25.15	6.986111	<b>6.921316</b>
increasing	40	2.24	3.99	1.75	0.486111	<b>0.481602</b>	31.19	28.95	8.041667	<b>7.967081</b>
increasing	60	3.09	5.21	2.12	0.588889	<b>0.583427</b>	38.74	35.65	9.902778	<b>9.810931</b>
increasing	80	3.89	6.37	2.48	0.688889	<b>0.6825</b>	44.71	40.82	11.33889	<b>11.23372</b>
increasing	100	4.62	7.43	2.81	0.780556	<b>0.773316</b>	50.33	45.71	12.69722	<b>12.57946</b>
decreasing	80	3.92	6.4	2.48	0.688889	<b>0.6825</b>	44.78	40.86	11.35	<b>11.24473</b>
decreasing	60	3.11	5.24	2.13	0.591667	<b>0.586179</b>	38.88	35.77	9.936111	<b>9.843955</b>
decreasing	40	2.28	4.01	1.73	0.480556	<b>0.476098</b>	31.38	29.1	8.083333	<b>8.008361</b>
decreasing	30	1.82	3.21	1.39	0.386111	<b>0.38253</b>	27.5	25.68	7.133333	<b>7.067173</b>
decreasing	20	1.36	2.44	1.08	0.3	<b>0.297218</b>	22.7	21.34	5.927778	<b>5.872798</b>

Equivalent area at  $\Delta P=20Pa$  (C = 284.5) (increasing) A = 1629.3 mm<sup>2</sup>

Equivalent area at  $\Delta P=20Pa$  (C = 284.5) (decreasing) A = 1670.8 mm<sup>2</sup>

### Screw-in (large)

#### Atmospheric conditions

Temp  $\Delta_a$ : 18°C

Pressure  $p_a$ : 99.7 kPa

	Pressure		Ventilator closed				Ventilator opened			
	$\Delta P$	Rig	Closed	Total	Total	Corrected	Open	Total	Total	Corrected
	Pa	m <sup>3</sup> /h	m <sup>3</sup> /h	m <sup>3</sup> /h	l/s	l/s	m <sup>3</sup> /h	m <sup>3</sup> /h	l/s	l/s
increasing	20	1.68	3.13	1.45	0.402778	<b>0.399042</b>	30.33	28.65	7.958333	<b>7.884521</b>
increasing	30	2.28	4.29	2.01	0.558333	<b>0.553155</b>	37.15	34.87	9.686111	<b>9.596274</b>
increasing	40	2.91	5.31	2.4	0.666667	<b>0.660483</b>	43.5	40.59	11.275	<b>11.17043</b>
increasing	60	4.05	7.09	3.04	0.844444	<b>0.836612</b>	53.03	48.98	13.60556	<b>13.47937</b>
increasing	80	5	8.74	3.74	1.038889	<b>1.029253</b>	61.19	56.19	15.60833	<b>15.46357</b>
increasing	100	5.97	10.3	4.33	1.202778	<b>1.191622</b>	68.28	62.31	17.30833	<b>17.1478</b>
decreasing	80	5.05	8.81	3.76	1.044444	<b>1.034757</b>	61.26	56.21	15.61389	<b>15.46907</b>
decreasing	60	4.09	7.23	3.14	0.872222	<b>0.864132</b>	53.46	49.37	13.71389	<b>13.58669</b>
decreasing	40	2.98	5.4	2.42	0.672222	<b>0.665987</b>	43.64	40.66	11.29444	<b>11.18969</b>
decreasing	30	2.37	4.4	2.03	0.563889	<b>0.558659</b>	37.49	35.12	9.755556	<b>9.665074</b>
decreasing	20	1.71	3.25	1.54	0.427778	<b>0.42381</b>	31.09	29.38	8.161111	<b>8.085418</b>

Equivalent area at  $\Delta P=20Pa$  (C = 284.5) (increasing) A = 2243.1 mm<sup>2</sup>

Equivalent area at  $\Delta P=20Pa$  (C = 284.5) (decreasing) A = 2300.3 mm<sup>2</sup>

