



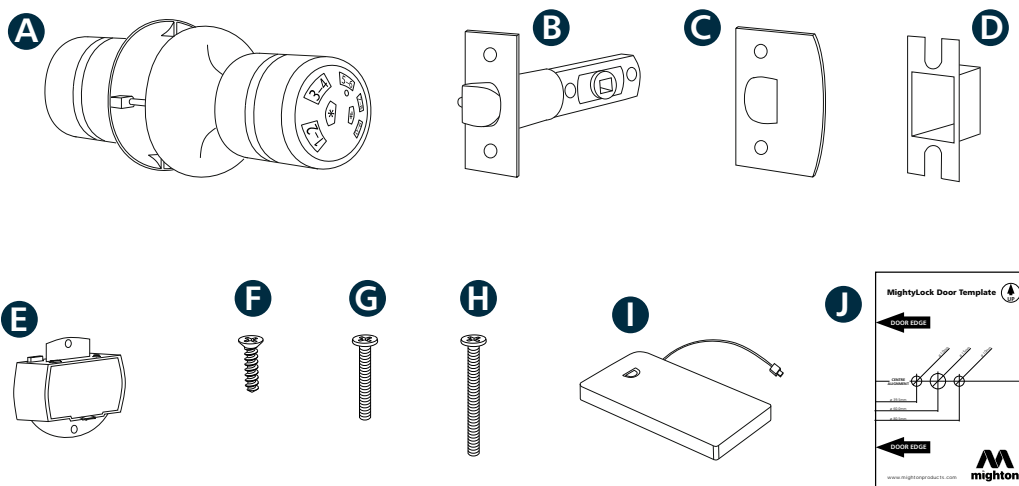
MightyLock

Installation Instructions

Please read the operation and fitting instructions carefully before starting the installation. MightyLock is suitable for doors from 17mm to 39mm thick.

Parts List

- A 1 x MightyLock
- B 1 x Tubular Latch
- C 1 x Strike Plate
- D 1 x Frame Insert
- E 1 x Handle Power Pack
- F 4 x Screws
- G 2 x 27mm Screws
- H 2 x 37mm Screws
- I 1 x E-Key
- J 1 x Door Template

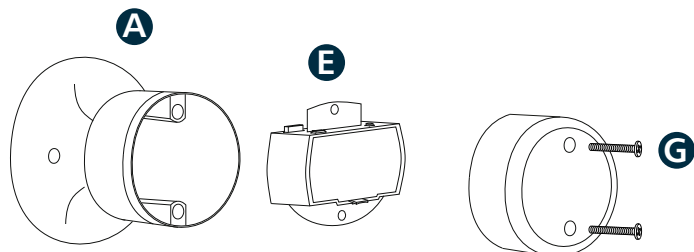


Important: The default master code is *000000#. MightyLock requires 4 x AAA batteries to operate, if the batteries fail, you can either use the E-Key to power the lock and gain access or use an alternative power source via an A-B USB cable, the power output must not exceed 9v.

Do not turn the square door spindle more than 90 degrees before installing MightyLock on the door.

Installation

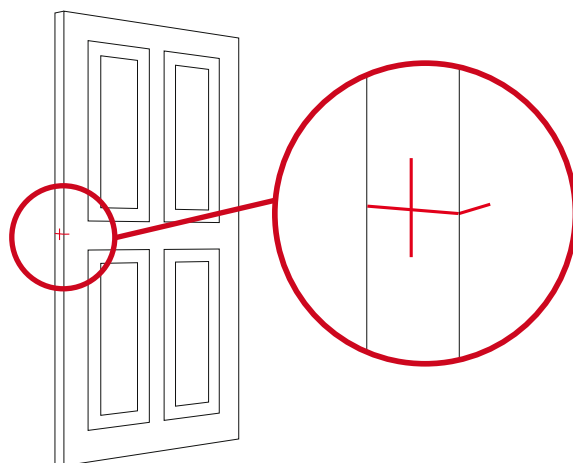
1



Important!

First install 4 x AAA batteries into the Handle Power Pack (E) and check the handle operates using the default master code: *000000#

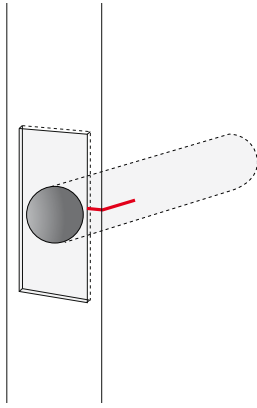
2



Mark the height and centre of the door edge at the height you want your door handle installed.

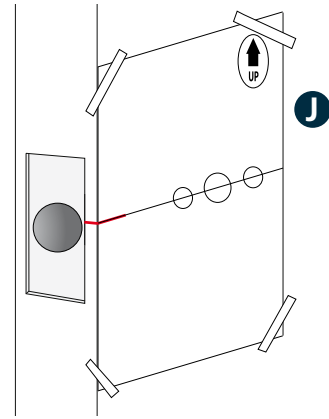


3



On the door edge, drill a 25mm diameter hole to a depth of 88mm for the latch (ensure the drill is square with the door). Insert the Latch (B) into the hole and draw around the edges of the face plate. Remove the Latch (B), use a hammer and chisel to cut out a 3mm recess to allow the face plate to sit flush in the door edge.

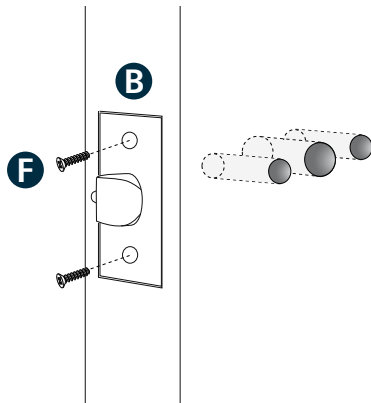
4



Align the Door Template (J) with the door edge and the template centre line with the height mark on the door. Hold in position using masking tape.

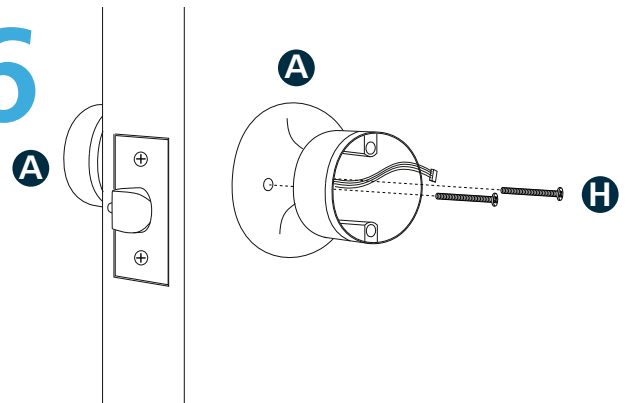
As shown on the template, drill two 10mm holes and one 15mm hole through the door (ensure the drill is square with the door and take care as the drill exists the opposite side).

5



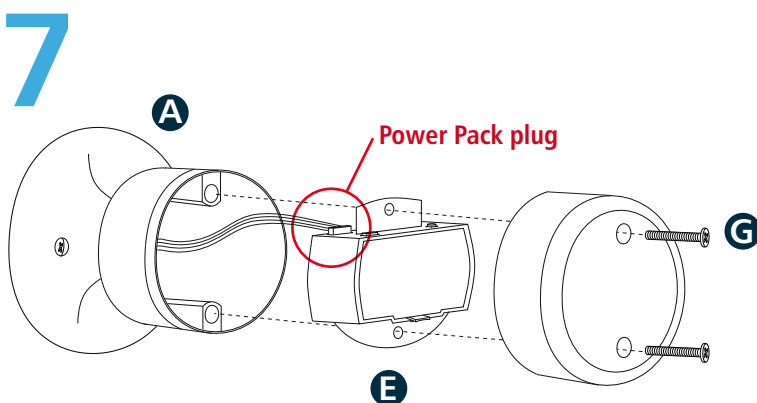
Install the Latch (B) into the door using the screws (F) provided.

6



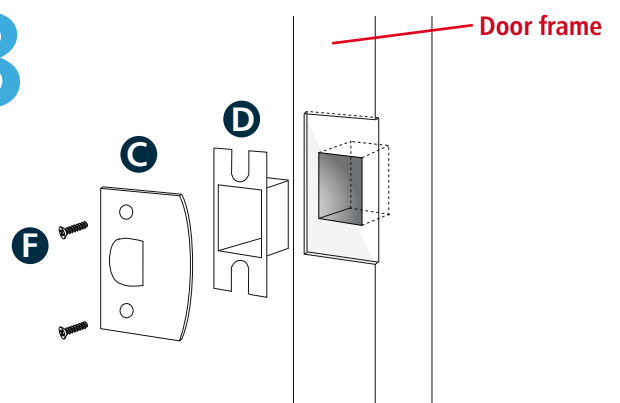
Install the MightyLock Handles (A) using the screws (G) provided. Ensure the handle keypad is on the correct side.

7



Plug the MightyLock (A) cable into the Handle Power Pack (E). Close the handle cover using screws (G) provided.

8



In the appropriate position on the door frame, install the Strike Plate (C) and Frame Insert (D) using the screws (F) provided.

Operation

The default master code is ***000000#**, this should be changed to your own code by following the steps below. Please store your master code and the E-Key (I) in a safe place.

You can have 14 different user entry codes and each code can be up to 16 digits long.

Unlock door:

*user-entry-code#

Add new user entry code:

*#master-code#1#new-user-entry-code#

Change master code:

*#old-master-code#3#new-master-code#

Delete a user entry code:

*#master-code#5#user-entry-code#

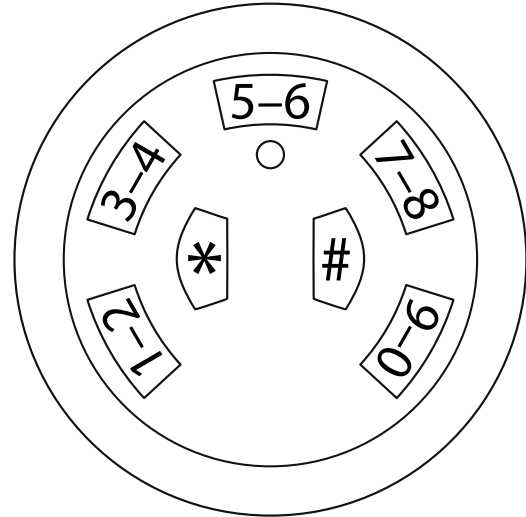
Delete all user entry codes:

*#master-code#5#000000#

Example code entry of above:

If you want to change the master code from 000000 to 132435, you would enter:

*#000000#3#132435#



Important: If the batteries in MightyLock fail, you can either use the E-Key to power the lock and gain access or use an alternative power source via an A-B USB cable, the power output must not exceed 9v. 4 x new AAA batteries should then be installed.

Trouble Shooting

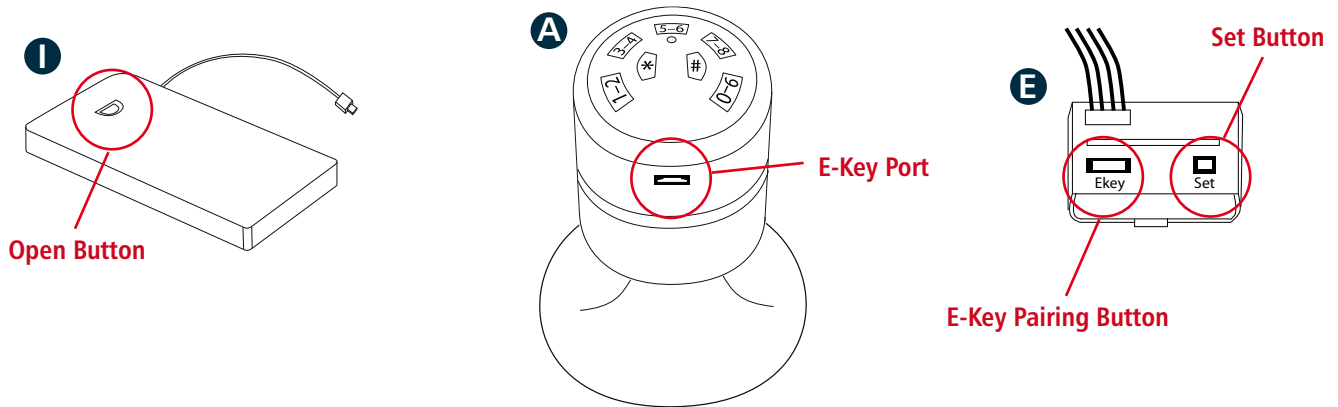
The LED will flash green for successful operations and red if the operation has failed, please check the following table to solve any problems:

Operation and Status	Sound	LED Flashes
Adding new user entry code - Successful	Long Beep	3 x Green
- Failed	Alarm	3 x Red
- User code already exists	3 x Beeps	2 x Red
- Memory full, no space for new user codes	2 x Beeps + Alarm	2 x Red
Changing master code - Successful	Long Beep	3 x Green
- Failed	Alarm	3 x Red
Deleting a user entry code - Successful	Long Beep	3 x Green
- User entry code does not exist	3 x Beeps	2 x Red
- You cannot delete the master code	3 x Beeps	2 x Red
Deleting all user entry codes - Successful	Long Beep	3 x Green
- Failed	Alarm	3 x Red
Unlocking door - Battery low warning	n/a	Green Red Green

E-Key Pairing and Operation

The E-Key **(I)** can be used as an external emergency power supply for MightyLock **(A)**.

It can also be paired with MightyLock **(A)** which will allow the E-Key to unlock the door simply by pressing the Open Button on the E-Key. You can pair up to 5 E-Key's with each MightyLock.



Using the E-Key as emergency power supply:

Insert the E-Key **(I)** into the MightyLock **(A)** E-Key Port. The MightyLock keypad will light up, you can now unlock the door using your user entry or master code.

Pairing an E-Key with MightyLock:

Insert the E-Key **(I)** into the MightyLock **(A)** E-Key Port. Open the back cover on the inside handle of MightyLock **(A)**, press the E-Key Pairing Button on the Handle Power Pack **(E)** the keypad will light up red, now press the E-Key **(I)** Open Button twice, the keypad will flash three times. Press the E-Key **(I)** Open Button and confirm the door unlocks.

Unlock MightyLock using a paired E-Key:

Insert the E-Key **(I)** into the MightyLock **(A)** E-Key Port, press the E-Key **(I)** Open Button once, the door will now unlock. Open the door and then remove the E-Key **(I)**.

Unpair an E-Key with MightyLock:

Insert the E-Key **(I)** into the MightyLock **(A)** E-Key Port. Open the back cover on the inside handle of MightyLock **(A)**, press the E-Key Pairing Button on the Handle Power Pack **(E)** the keypad will light up red, now press the E-Key **(I)** Open Button once, after a few seconds the keypad will flash once. Press the E-Key **(I)** Open Button and check the door does not unlock.

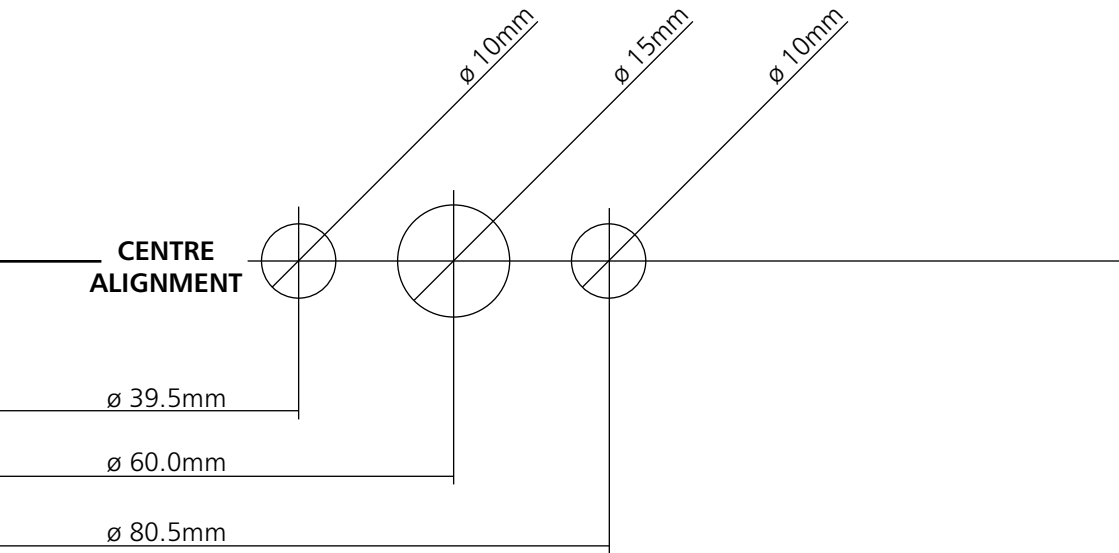
Resetting MightyLock

If you lose or forget the master code, you will need to completely reset MightyLock **(A)**. Doing this will delete all user entry codes. The master code will reset to default ***000000#**.

Resetting MightyLock:

Open the back cover on the inside handle of MightyLock **(A)**, press and hold the Set Button on the Handle Power Pack **(E)** until MightyLock beeps three times. MightyLock has now been reset to factory settings, the master code is ***000000#**.

MightyLock Door Template



mighton