



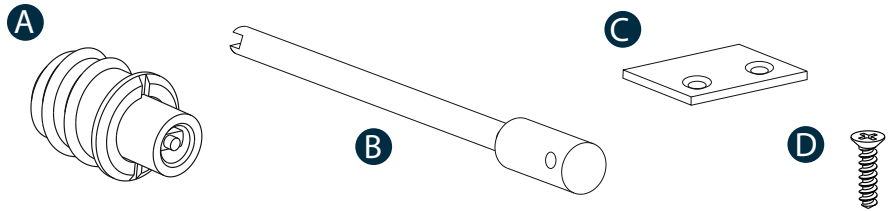
Minilock

Installation Instructions

The MiniLock is easily fitted. Please read the instructions carefully before installation.
Pack contains parts for two sash windows.

Parts List

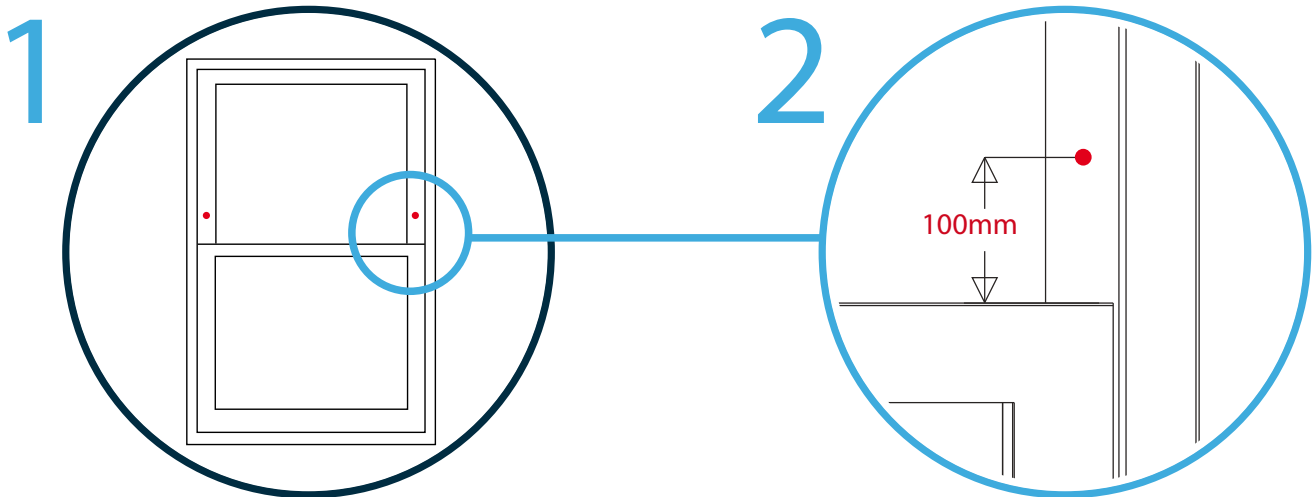
- A 4 x Lock Unit
- B 1 x Key
- C 4 x Strike Plates
- D 8 x Self Drilling Screws



Important: Consideration should be given before fitting to Egress windows. Minilock projects 9mm when fully out. This device must be fitted in a position that allows no more than a 100mm restricted opening.

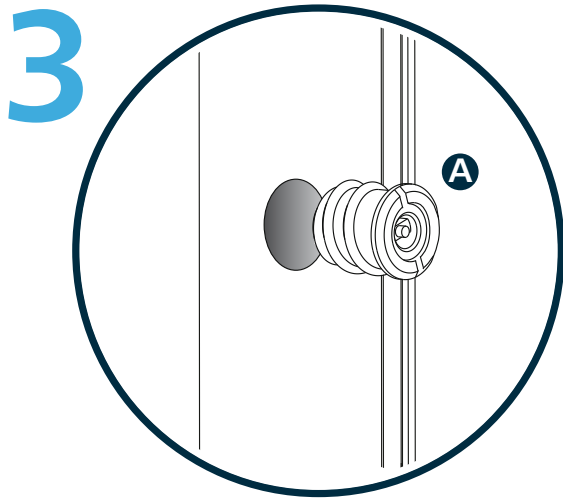
Ensure the sash is completely closed and locked before starting the installation.

Installation

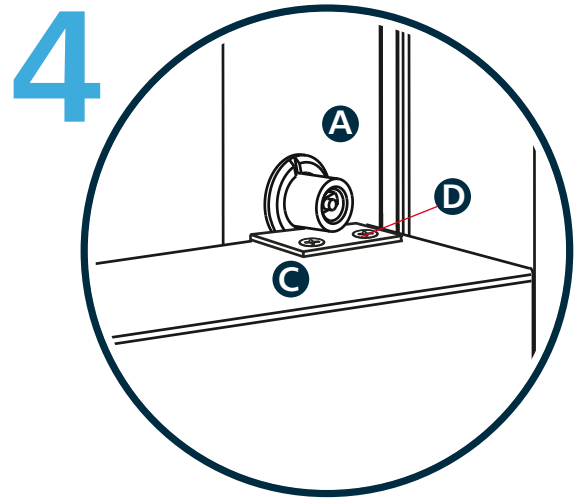


Important!
Close and lock sash before starting installation.
Measure 100mm up from top of bottom sash and mark window frame as shown above.

Drill a 15mm diameter hole 25mm deep on the marked positions on the top sash.



De-activate Minilock (A) using the Key (B) provided. Screw the Minilock (A) into the holes on both sides of the top sash.



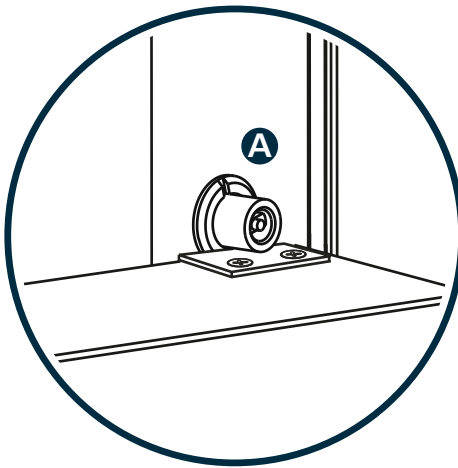
Activate Minilock (A) using the Key (B) provided. and lower the sash. Install the Strike Plate (C) where Minilock (A) meets the meeting rail using the Screws (D) provided.

Operation

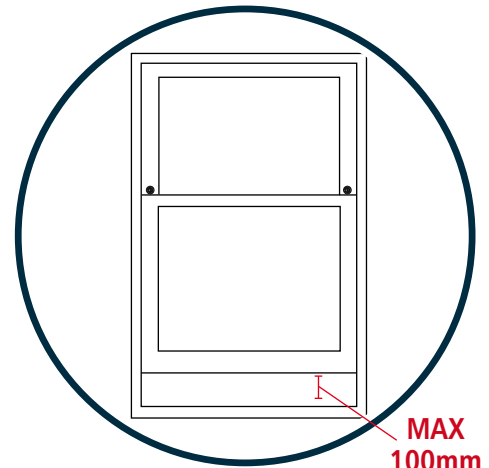
Verify device operates correctly and window opening cannot exceed 100mm.



De-activate Minilock (A) using the key provided (B).



Activate Minilock (A) using the key provided (B).



The window opening cannot exceed 100mm.

Clean the Minilock with a damp cloth. On a regular basis, ensure the device operates correctly. Consideration should be given before fitting to Egress windows.

Please keep the key in a safe place.