

mighton Affinity Door Handles

Features

Available with both long and short backplate options to suit all current door bolt locking systems

Handles are non-handed allowing them to be used as either a left or right hand (supplied with spring cassette)

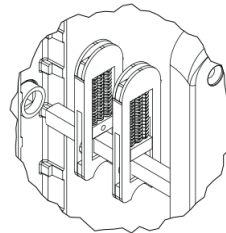
Lever-Lever inline, Lever-Lever offset, Lever-Pad with French door and blank backplates available

The handle range is suited with door hinge, letter plate, door knocker & numerals, espagnolette window handles (inline or cranked) and tilt & turn handle

Available in Gold, Chrome, & Satin Chrome

Powder coated versions are available in zinc or aluminium

Supplied with a spindle & screws to suit profiles 58-70mm



SPRING CASSETTE

Technical Information

Assessment Data

Performance: Tested to 100,000 operations

Corrosion resistance: All finishes meet the requirements of BS EN 1670:2007 - grade 5 (>480 hrs Salt Spray)

Material Specification

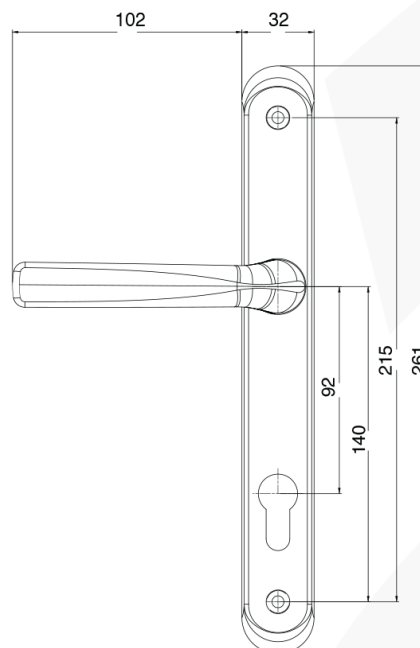
Handle/Backplate: Zinc Alloy BS1004A or aluminum A360

Spindle: Steel C1008, Zinc plated and yellow passivated

PVD/Chrome Coating: Gold, Chrome & Satin Chrome,

Additional Information Box Quantity: 10 Pairs

LEVER/LEVER LONG BACKPLATE



Code	Finish
AFFGLD	Gold
AFFCHR	Chrome
AFFSCR	Satin Chrome