

Operating & Care Instructions

To Disengage Window Opening Control Device

	Face Fix	Side Fix	Retro Fit		
1				Disengage window opening control device.	
2					Raise bottom sash.
3					Lower bottom sash. Opening control device resets.

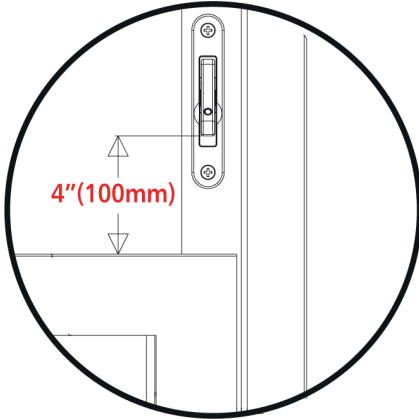
To Manually Re-engage Window Opening Control Device

1				Push top to re-engage window opening control device.
---	--	--	--	--

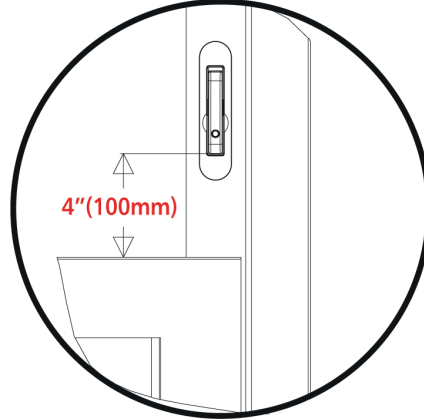
- Properly maintain opening control device and verify correct window opening control device operation on a monthly basis.
- Window opening control device should automatically re-engage when closing bottom sash.
- After activation of the window opening control device check for operability.
- Clear opening must be less than 4 inches.
- Teach household members six years old and older how to operate the release mechanism in case of an emergency.

Device Installation

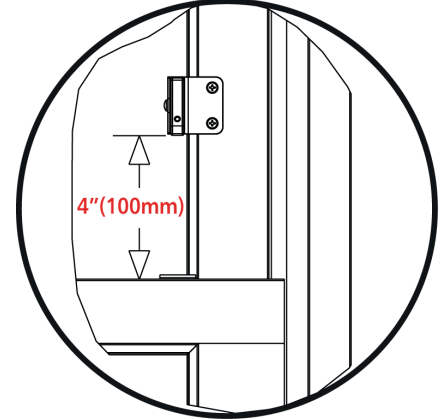
Face Fix



Side Fix

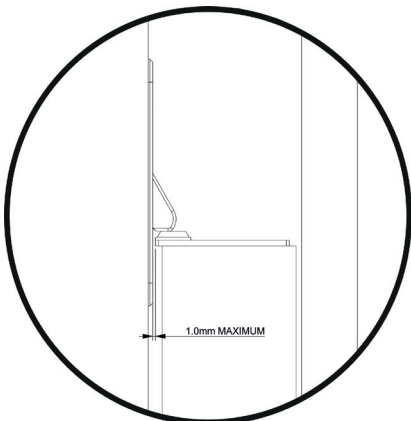
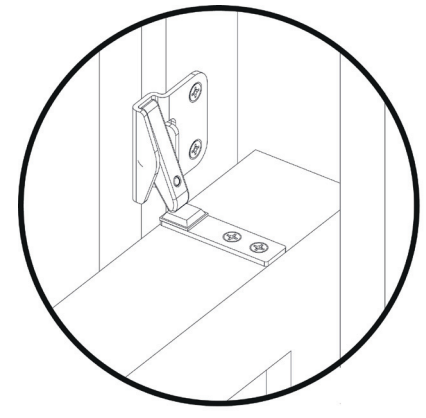
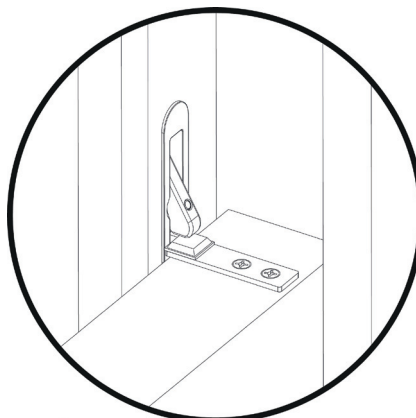
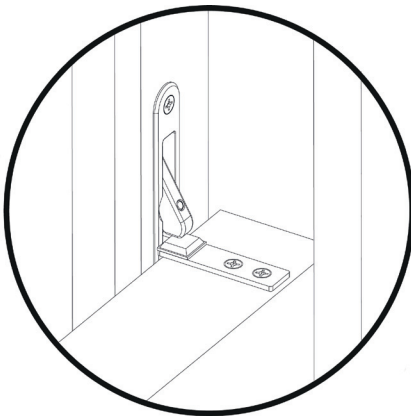


Retro Fit



Devices are supplied in pairs and both must be fitted to ensure window is safely secured. One device is fitted to each side of the top sash. Ensure a maximum of 4" (100mm) gap between top and bottom sash rail and bottom of device restrictor arm.

Strike Plate



Fit strike plates to top of bottom sash rail. To ensure correct function of device, position strike plate no further than 1mm from device face plate. After installation, check correct function of devices by following operating instructions overleaf.