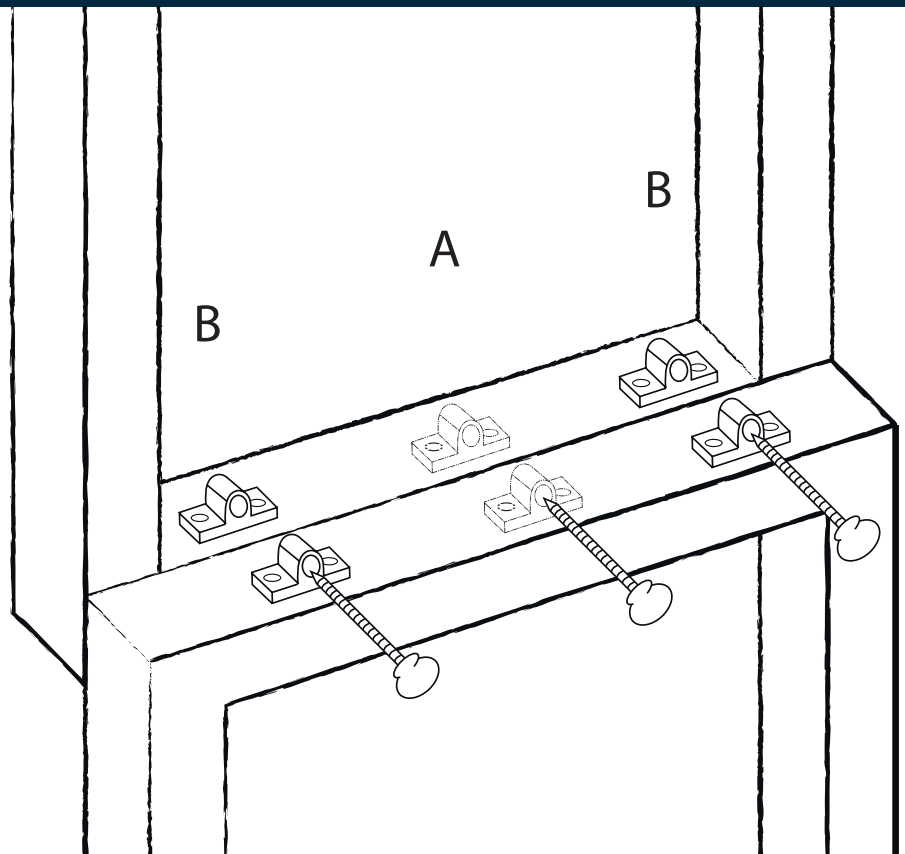


Sash Screw Fitting Instructions

Product Data:

Manufactured from Brass with a Steel Threaded Bar. Supplied in 3 Lengths of Thread = 50mm, 76mm or 102mm. Due to the nature of the manufacturing process, a tolerance of + / - 5% must be allowed on the weight and dimensions of this product.



Installation of the Product:

Surface Mounted Version

You can fit either one Sash Screw in the middle of the sash (A) if used instead of a Sash Fastener or two at either side (B).

Make sure the unthreaded mounting plate is fitted onto the Sash Screw first followed by the threaded mounting plate.

Make sure the window is in the locked position.

Place the product in your chosen location (A or B).

First using the threaded mounting plate, place it on the top face of the bottom meeting rail of the top sash window marking through the screw holes and then make a pilot hole and fix the mounting plate.

Secondly place the unthreaded mounting plate centralised on the top face of the meeting rail on the bottom sash window, as previously mark, make a pilot hole and then fix the mounting plate.

(Note : Make sure you do not over screw the Sash Screw as it may crack or break the glass in the top sash). **If you are unsure how to fit the product we advise you contact a qualified trades person.**

These instructions have been supplied as a guide only and we cannot take any responsibility for problems which may arise during the fitting of the Sash Screw.

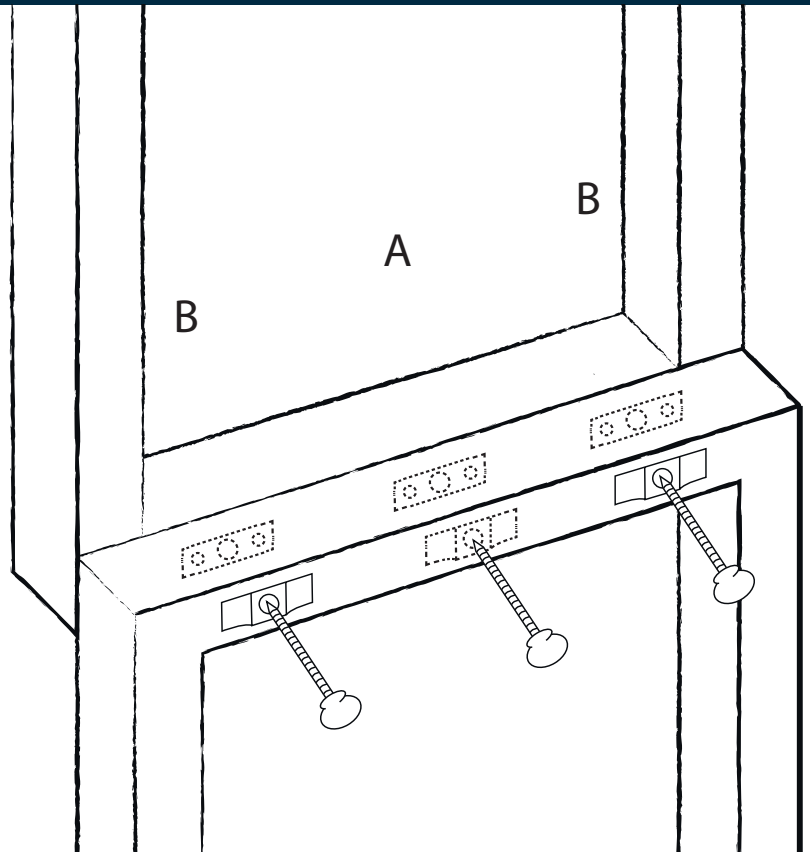
Make It Once... Make It Mighton...



Sash Screw Fitting Instructions

Product Data:

Manufactured from Brass with a Steel Threaded Bar. Supplied in 3 Lengths of Thread = 50mm, 76mm or 102mm. Due to the nature of the manufacturing process, a tolerance of + / - 5% must be allowed on the weight and dimensions of this product.



Installation of the Product:

Morticed Version

You can fit either one Sash Screw in the middle (A) or two at either side (B).

Make sure the window is in the locked position. Make a mark on the centre of the meeting rail of the bottom sash, in your chosen location (A or B).

Drill a pilot hole through the bottom sash and into the bottom of the top sash, fix the small plate to the bottom sash centralised over the pilot hole.

Unlock the window and move up the bottom sash and pull down the top sash enough to avoid the other sash to allow you to drill a larger hole wide enough to take the Sash Screw, while in this position look for the pilot hole already drilled in bottom rail of the top sash, centralise over the hole the larger thicker plate and recess flush with a chisel and fix the plate to the meeting rail, drill a larger hole wide enough to take the Sash Screw

(Note : making sure you do not drill too deep). Close the window in the locked position and screw the bolt through both sashes.

If you are unsure how to fit the product we advise you contact a qualified trades person.

These instructions have been supplied as a guide only and we cannot take any responsibility for problems which may arise during the fitting of the Sash Screw.

Make It Once... Make It Mighton...

