

Avant Craftsman Locking Casement Fastener Kit

Features & Benefits

- Classic design with a contemporary twist
Create an elegant and stylish window
- Available in three finishes: Gold, Chrome and Satin
- Non-Locking version available
- Matching casement stay available
Perfectly matching hardware for every application
- Solid die cast zinc construction
Heavyweight fastener with sturdy feel
- Supplied with colour coordinated screws
Perfectly matching hardware - even down to the smallest details

Product Codes

AVAFLGLD1

AVAFLCHR1

AVAFLSCR1



Gold



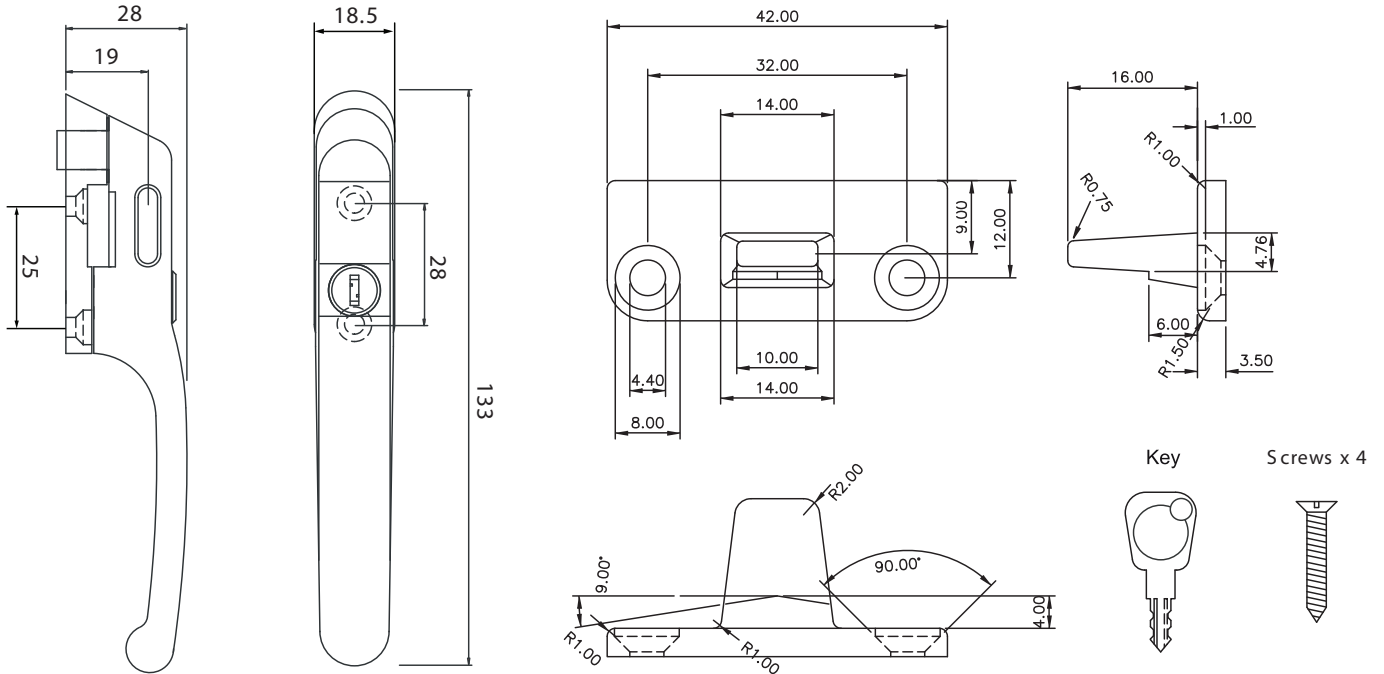
Chrome



Satin



Avant Craftsman Locking Casement Fastener Kit



All dimensions are shown in millimetres

Additional Benefits

- Key clicks into place when inserted
Won't fall out of the lock, even when pivoting the lever

Product Codes

AVAFLGLD1

AVAFLCHR1

AVAFLSCR1



Gold



Chrome



Satin

All products are subject to continuous development and improvement and we reserve the right to change specifications without prior notice.

Technical Specification

Designed for Timber windows

Certified to BS 7950: 1997

All finishes salt spray tested to 480 hours
(BS EN 1670: Class 5)

Tested to 50,000 cycles