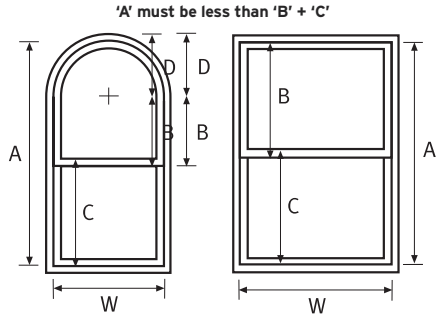


# PHOTOCOPY MASTER ORDER FORM

FREEPHONE 0800 056 0471

FREEFAX 0800 581703

Contact Name \_\_\_\_\_  
 Company \_\_\_\_\_  
 Address \_\_\_\_\_  
 \_\_\_\_\_  
 \_\_\_\_\_ Postcode \_\_\_\_\_  
 Tel No \_\_\_\_\_ Email \_\_\_\_\_  
 Delivery Address (if different from above) \_\_\_\_\_  
 \_\_\_\_\_  
 \_\_\_\_\_  
 Order No \_\_\_\_\_ Account No \_\_\_\_\_



## DETAILS

WINDOW QUANTITY	A	W	B	C	D	SIZE OF HORN	GLASS TYPE	GLAZED WEIGHT TOP	GLAZED WEIGHT BOTTOM	CUSTOMER REFERENCE
1										
2										
3										
4										
5										
6										
7										
8										
9										
10										
PLEASE TICK AS APPROPRIATE		SASH BALANCE ORDER <input type="checkbox"/>		SASH BALANCE QUOTATION <input type="checkbox"/>		WEIGHT ORDER <input type="checkbox"/>		WEIGHT QUOTATION <input type="checkbox"/>		TILT <input type="checkbox"/>

## NOTES

